

# ezSystem elab16m Project 7s: Light Level Switch with Display

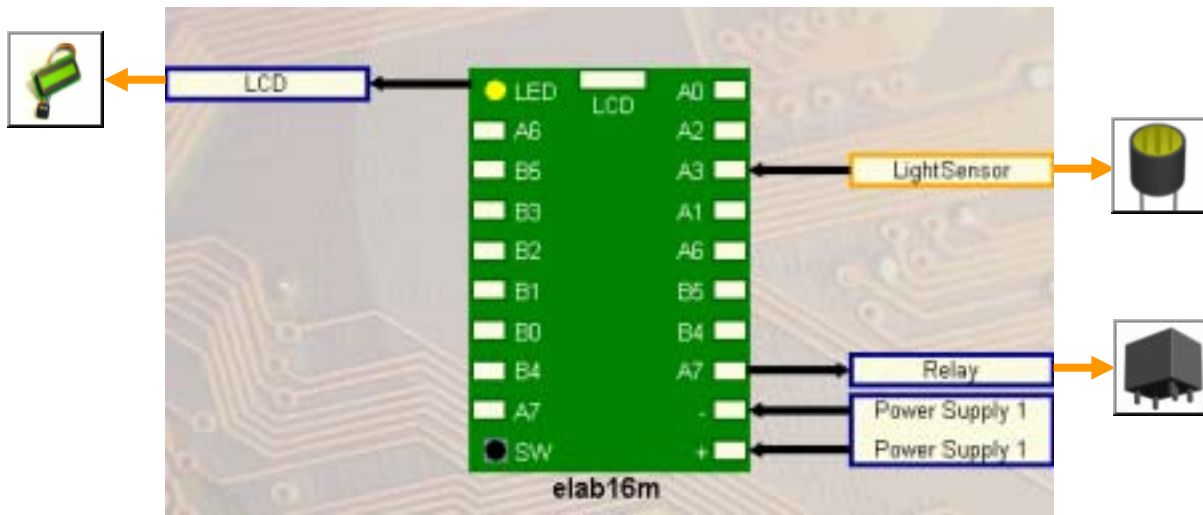
## Project description:

The project is a light level switch that uses the elab16m, a LDR, a Relay and a Liquid Crystal Display (LCD) to display the light level reading.

The LDR senses the light level and displays this on a LCD. When the light level is above the set point, the relay switches on eg: to turn on an alarm. A light level switch with display can also be used to monitor the level of light in a greenhouse.

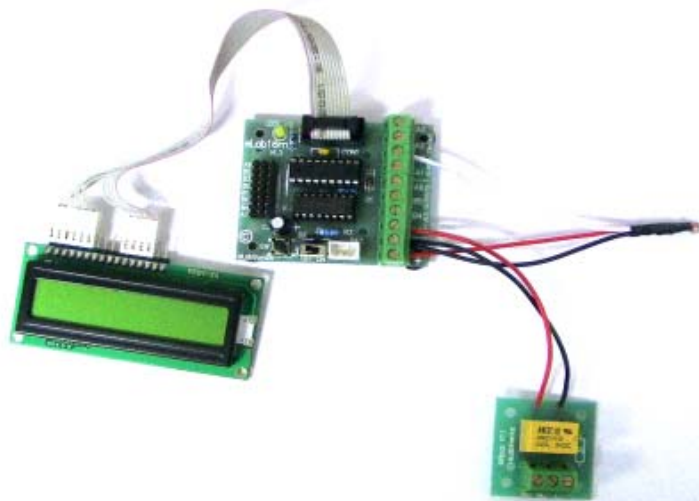
## 1. Design the Light Level Switch with Display

Use ezCircuit Designer to construct an input/output (I/O) diagram



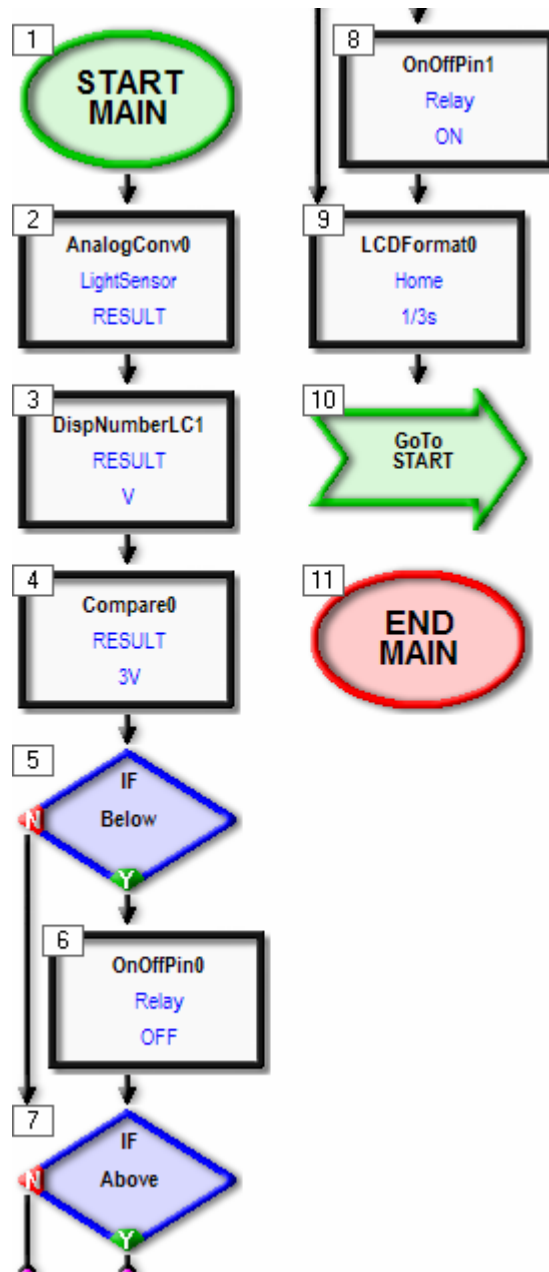
## 2. Build the Light Level Switch with Display

Use ezCircuit Designer I/O diagram to connect the hardware



### 3. Program the Light Level Switch with Display

Use ezCoreChart to program the functions of the Light Level Switch with Display



#### Extension:

At the moment, the light level switch with display for the greenhouse example is only an alarm with no automatic control. This is not very convenient.

1. Add a second relay and modify the program to open the blinds when the light level is below the lower light level set point and to close the blind when the light level is above the upper light level set point.